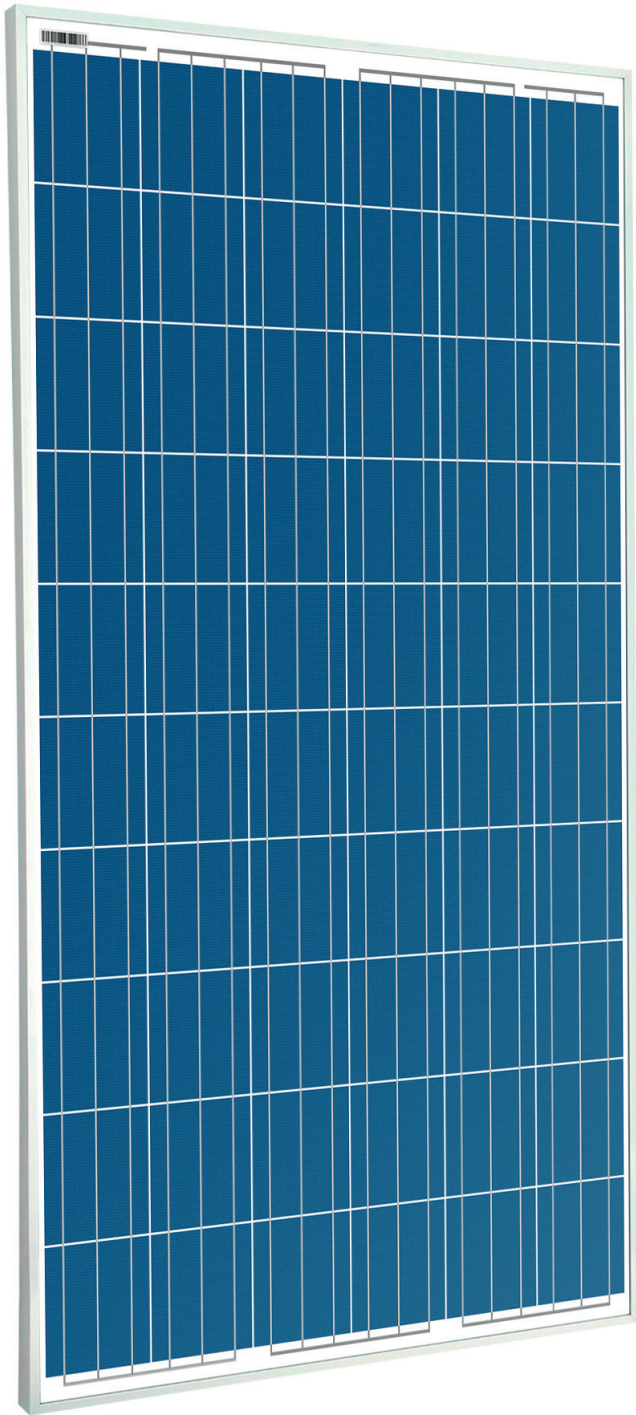


# TM-Series

## TM-P660245/265

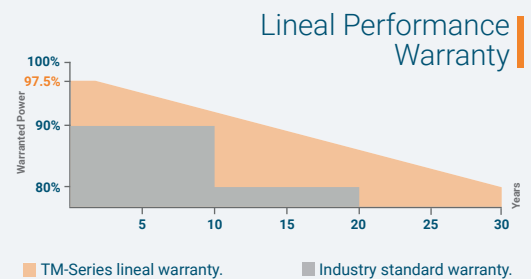


Polycrystalline  
Solar Panels

245-265W  
Power Range

16.28%  
Efficiency

0/+5W  
Tolerance



10 YEARS PRODUCT · 30 YEARS POWER

### Key Features



#### High PID resistant

TM-Series has proved resistance to degradation induced power.



#### Advanced glass

High transmission glass resulting in increased energy production.



#### High efficiency and durability

Manufacturing process certified, excellent performance under low light environments.



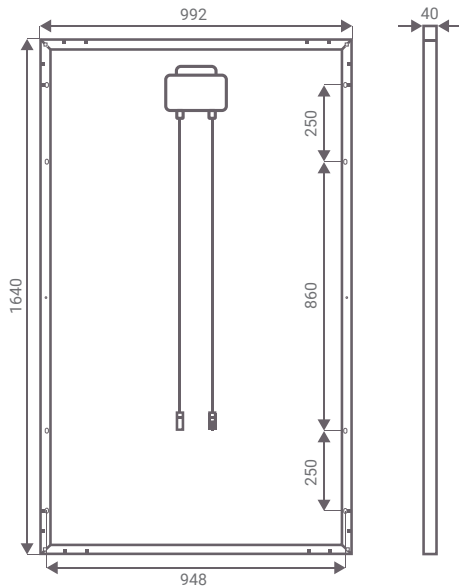
#### Robust and corrosion free modules

Certified to withstand the most challenging environmental conditions.

# TM-P660245/265

POLYCRYSTALLINE PV MODULES

# TM-Series



## GENERAL CHARACTERISTICS

|            |                |
|------------|----------------|
| Dimensions | 1640x992x40 mm |
| Weight     | 19 Kg          |

## PACKAGING

|                                 |    |
|---------------------------------|----|
| Modules per pallet              | 26 |
| N° pallets per HC Container 40' | 28 |

The max capacity per container are 812 modules

## TEMPERATURE RATING

|                       |             |
|-----------------------|-------------|
| NOCT                  | 45 ± 2° C   |
| Coefficient of (Pmax) | -0.47 %/°C  |
| Coefficient of (Voc)  | -0.34 %/°C  |
| Coefficient of (Isc)  | +0.045 %/°C |

## CERTIFICATIONS



IEC 61215, IEC 61730, ISO 9001:2008, ISO 14001:2004, BS OHSAS 18001:27, PV Cycle, UL, MCS, PID, WEEE.

## ELECTRICAL DATA

| STC                             | TM P660245 | TM P660250 | TM P660255 | TM P660260 | TM P660265 |
|---------------------------------|------------|------------|------------|------------|------------|
| Maximum Power at STC (Pmax)     | 245 W      | 250 W      | 255 W      | 260 W      | 265 W      |
| Optimum Operating Voltage (Vmp) | 30.20 V    | 30.38 V    | 30.46 V    | 30.56 V    | 30.71 V    |
| Optimum Operating Current (Imp) | 8.12 A     | 8.23 A     | 8.37 A     | 8.51 A     | 8.63 A     |
| Open Circuit Voltage (Voc)      | 36.87 V    | 36.97 V    | 37.01 V    | 37.22 V    | 37.46 V    |
| Short Circuit Current (Isc)     | 8.76 A     | 8.99 A     | 9.07 A     | 9.23 A     | 9.37 A     |
| Module efficiency               | 15.06 %    | 15.36 %    | 15.67 %    | 15.98 %    | 16.28 %    |

Electric characteristics at normal standard conditions (STC)  
STC Conditions: Irradiance: 1.000W/m2, cell temperature: 25°C, AM=1.5

| NOCT                            | TM P660245 | TM P660250 | TM P660255 | TM P660260 | TM P660265 |
|---------------------------------|------------|------------|------------|------------|------------|
| Maximum Power at STC (Pmax)     | 178 W      | 182 W      | 186 W      | 189 W      | 193 W      |
| Optimum Operating Voltage (Vmp) | 27.59 V    | 27.76 V    | 27.83 V    | 27.92 V    | 28.05 V    |
| Optimum Operating Current (Imp) | 6.48 A     | 6.56 A     | 6.68 A     | 6.79 A     | 6.88 A     |
| Open Circuit Voltage (Voc)      | 33.85 V    | 33.95 V    | 33.98 V    | 34.18 V    | 34.40 V    |
| Short Circuit Current (Isc)     | 7.13 A     | 7.32 A     | 7.38 A     | 7.51 A     | 7.62 A     |

Electric characteristics at normal operation conditions (NOCT)  
NOCT Conditions: Irradiance: 800W/m2, ambient temperature: 20°C, AM=1.5, wind speed: 1m/s

## OPERATIVE CONDITIONS

|                                |                 |
|--------------------------------|-----------------|
| Power Tolerance                | 0/+5W           |
| Max. System Voltage            | 1.000 V         |
| Max. Series Fuse Rating        | 15 A            |
| Operating Temperature Range    | -40° C to 85 °C |
| Max. Static Load, Front (Snow) | 5400 Pa         |
| Max. Static Load, Back (Wind)  | 2400 Pa         |
| Fire Rating                    | Class A         |

## MECHANICAL CHARACTERISTICS

|                      |                                    |
|----------------------|------------------------------------|
| Solar Cells          | Polycrystalline silicon 156x156 mm |
| Cell arrangement     | 60 cells in series                 |
| Front Cover          | Low-iron tempered glass 3.2 mm     |
| Frame                | Anodized aluminum alloy            |
| Encapsulant          | EVA (ethylene vinyl acetate)       |
| Junction Box         | IP65                               |
| Bypass Diodes        | 6                                  |
| Cables (length/area) | 1000 mm / 4 mm <sup>2</sup>        |
| Connectors           | MC4                                |

**Caution:**  
To operate, install and manage Tamesol's modules in its entirety, read the installation manual and use carefully.

**Observations:**  
This Datasheet is subject to change without notice due to continuous improvement of our products. You can find all records of the updates on our website [www.tamesol.com](http://www.tamesol.com) or by contacting one of our sales staff. All rights reserved ©Tamesol ®

Authorized Partner:



**TMS PV MODULES AND SOLAR SYSTEMS SL**  
Verema Street, 19. Calonge (Girona) SPAIN  
Tel: (+34) 932 20 00 74  
[info@tamesol.com](mailto:info@tamesol.com)  
[www.tamesol.com](http://www.tamesol.com)

